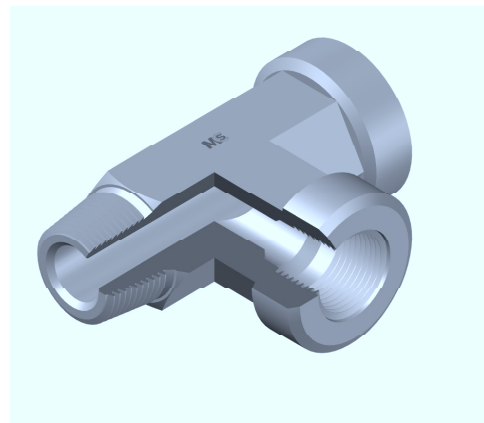
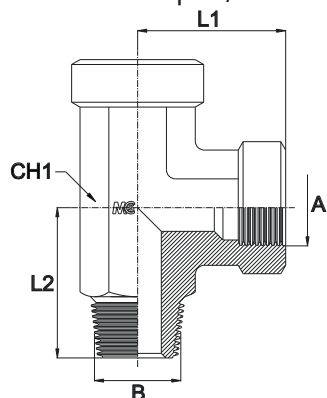


**ADATTATORE A «T» LATERALE MASCHIO/FEMMINA**

Filetto Gas Conico/Cilindrico

**MALE /FEMALE STUD BARREL TEE**

Thread BSP Taper/BSP Parallel



Bar W.P.	Codice Part Number	A	B	L1	L2	CH1
350	TLBSPTBSPMFA0202	1/8"	1/8"	17,0	20,0	14
	TLBSPTBSPMFA0404	1/4"	1/4"	22,5	28,0	19
250	TLBSPTBSPMFA0606	3/8"	3/8"	26,0	31,0	22
225	TLBSPTBSPMFA0808	1/2"	1/2"	31,0	37,5	27
200	TLBSPTBSPMFA1212	3/4"	3/4"	34,5	40,0	33
	TLBSPTBSPMFA1616	1"	1"	41,0	50,0	41
160	TLBSPTBSPMFA2020	1" 1/4	1" 1/4	43,0	60,0	50
	TLBSPTBSPMFA2424	1" 1/2	1" 1/2	53,0	67,0	65
100	TLBSPTBSPMFA3232	2"	2"	61,0	76,0	70