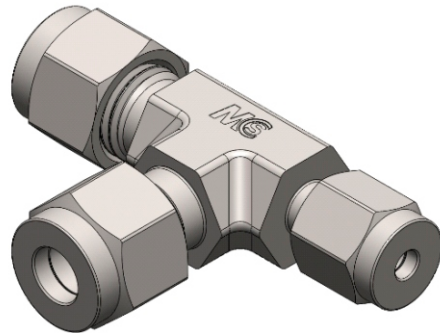
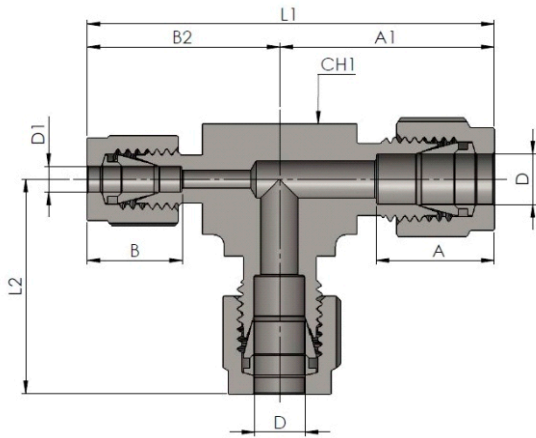


### Tee Riduttore Laterale

Reducing Union Lateral Tee



#### Connects Fractional Tubes

Codice Part Number	D		D1		CH1		A	B	A1	B2	L1	L2
	in	mm	in	mm	in	mm						
TLRU0604	3/8	9,52	1/4	6,35	9/16	14,29	16,76	15,24	30,48	28,95	59,44	30,48
TLRU0806	1/2	12,70	3/8	9,52	11/16	17,46	22,86	16,76	36,07	33,27	69,34	36,07
TLRU1006	5/8	15,87	3/8	9,52	13/16	20,64	24,38	16,76	38,86	36,06	74,93	38,86
TLRU1206	3/4	19,05	3/8	9,52	15/16	23,81	24,38	16,76	39,87	37,08	76,96	39,87