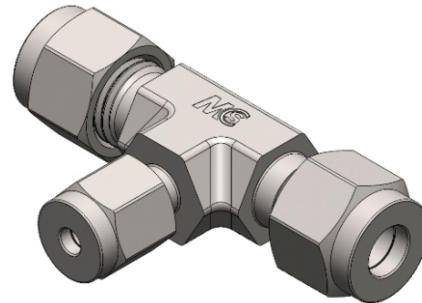
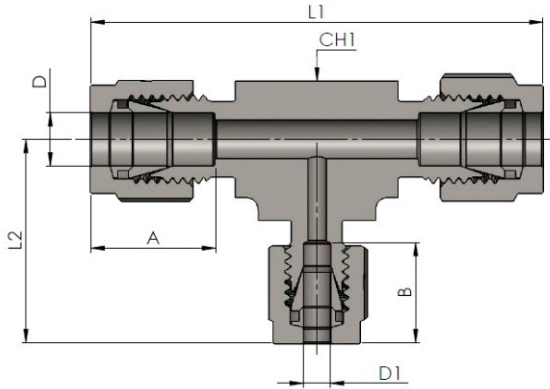


## Tee Riduttore Centrale

Reducing Union Central Tee



### Connects Fractional Tubes

Codice Part Number	D		D1		CH1		A	B	L1	L2
	in	mm	in	mm	in	mm				
TCRU0604	3/8	9,52	1/4	6,35	9/16	14,29	16,76	15,24	60,96	28,95
TCRU0804	1/2	12,70	1/4	6,35	11/16	17,46	22,86	15,24	72,14	31,75
TCRU0806	1/2	12,70	3/8	9,52	11/16	17,46	22,86	16,76	72,14	33,27
TCRU1006	5/8	15,87	3/8	9,52	13/16	20,64	24,38	16,76	77,72	36,07
TCRU1206	3/4	19,05	3/8	9,52	15/16	23,81	24,38	16,76	79,78	37,08
TCRU1208	3/4	19,05	1/2	12,70	15/16	23,81	24,38	22,86	79,75	39,87
TCRU1606	1	25,40	3/8	9,52	1.3/8	34,93	31,24	16,76	98,04	41,91
TCRU1608	1	25,40	1/2	12,70	1.3/8	34,93	31,24	22,86	98,04	44,70
TCRU1612	1	25,40	3/4	19,05	1.3/8	34,93	31,24	24,38	98,04	44,70
TCRU2016	1.1/4	31,75	1	25,40	1.11/16	42,86	41,15	31,24	135,63	55,18
TCRU2416	1.1/2	38,10	1	25,40	2	50,80	50,03	31,24	157,48	59,94
TCRU3216	2	50,80	1	25,40	2.3/4	69,85	67,56	31,24	214,37	70,86

### Connects Metric Tubes

Codice Part Number	D	D1	CH1	A	B	L1	L2
TCRU0306M	3	6	12	12,9	15,3	49,3	26,9
TCRU0806M	8	6	17	16,2	15,3	59,9	29,0
TCRU1006M	10	6	19	17,2	15,3	63,0	29,7
TCRU1206M	12	6	22	22,8	15,3	72,0	31,8
TCRU1512M	15	12	24	24,4	22,8	77,7	38,9
TCRU1612M	16	12	24	24,4	22,8	77,6	38,9
TCRU1812M	18	12	33	24,4	22,8	79,8	39,9
TCRU2212M	22	12	36	26,0	22,8	89,4	44,7
TCRU2512M	25	12	36	31,3	22,8	98,0	44,7