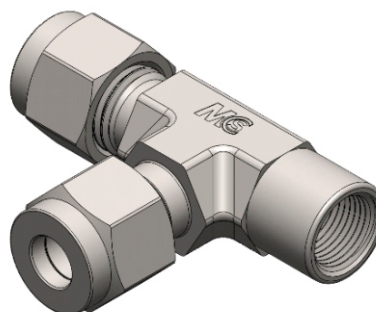
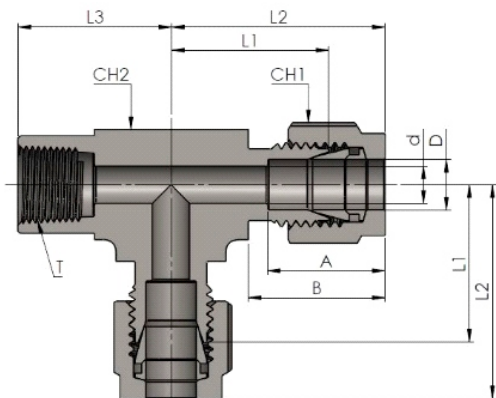


Tee Femmina NPT Laterale

Lateral NPT Female branch Tee



Connects Fractional Tubes to NPT

Codice Part Number	D		T (NPT)	D	CH1		CH2		A	B	L1	L2	L3
	in	mm			in	mm	in	mm					
TLUNPTF0202	1/8	3,17	1/8	2,28	7/16	11,11	9/16	14,29	12,70	15,24	18,03	24,63	19,05
TLUNPTF0402	1/4	6,35	1/8	4,82	9/16	14,28	9/16	14,29	15,24	17,78	19,55	26,92	19,05
TLUNPTF0404	1/4	6,35	1/4	4,82	9/16	14,28	13/16	20,64	15,24	17,78	22,86	29,71	22,35
TLUNPTF0604	3/8	9,52	1/4	7,11	11/16	17,46	13/16	20,64	16,76	19,30	23,87	31,24	22,35
TLUNPTF0806	1/2	12,70	3/8	10,41	7/8	22,22	13/16	20,64	22,86	21,84	25,90	36,06	22,35
TLUNPTF0808	1/2	12,70	1/2	10,41	7/8	22,22	1.1/16	26,99	22,86	21,84	29,71	39,87	28,44
TLUNPTF1212	3/4	19,05	3/4	15,74	1.1/8	28,57	1.3/8	34,92	24,38	21,84	34,54	44,70	31,75
TLUNPTF1612	1	25,40	3/4	22,35	1.1/2	38,10	1.3/8	34,92	31,24	26,41	26,83	49,02	31,75
TLUNPTF1616	1	25,40	1	22,35	1.1/2	38,10	1.11/16	42,86	31,24	26,41	41,40	53,59	38,10