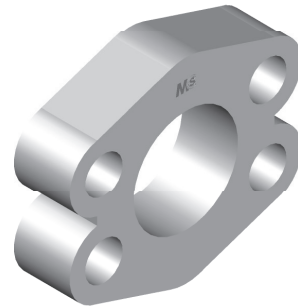
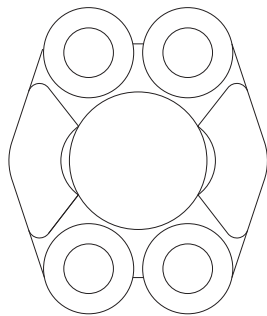
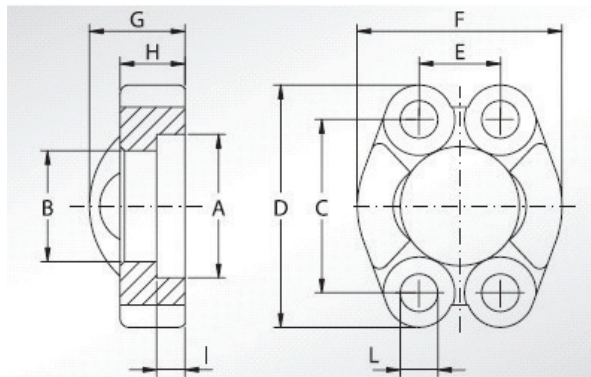


SEMI FLANGIA INTERA SAE 6000 SPLIT FLANGE SAE 6000 - UNCUT



Codice Part Number	Per Flangia Da: For Flange By:
USF600008	1/2"
USF600012	3/4"
USF600016	1"
USF600020	1" 1/4
USF600024	1" 1/2
USF600032	2"



DIMENSIONI TECNICHE - TECHNICAL DATA											
CODICE	maximum	A	B	C	D	E	F	G	H	I	L
PART	Kg/cm ²	MM	MM	MM	MM	MM	MM	MM	MM	MM	MM
USF600008	414	32,54	24,64	40,49	56,0	18,24	47,20	22,00	16,00	7,24	8,75
USF600012	414	42,06	32,51	50,80	71,0	23,80	60,00	28,00	19,00	8,26	11,00
USF600016	414	48,41	38,86	57,15	81,0	27,76	69,60	33,00	24,00	9,02	13,00
USF600020	414	54,76	44,45	66,68	95,0	31,75	77,20	38,00	27,00	9,78	15,00
USF600024	414	64,29	51,56	79,38	113,0	36,50	95,00	43,00	30,00	12,07	17,00
USF600032	414	80,16	67,56	96,82	133,0	44,45	113,80	52,00	37,00	12,07	21,00