

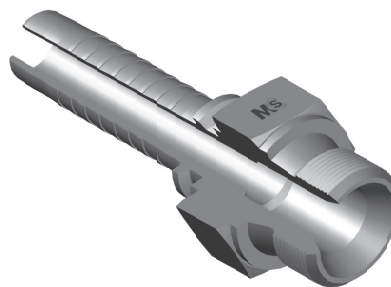
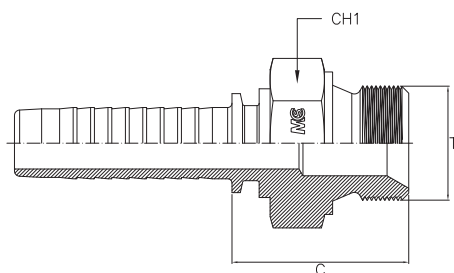
**MASCHIO SVASATO A 60° - HP 700 Bar**

Filetto Gas Cilindrico

**MALE 60° CONE - HP 700 Bar**

Thread BSP Parallel

- AGR - HP

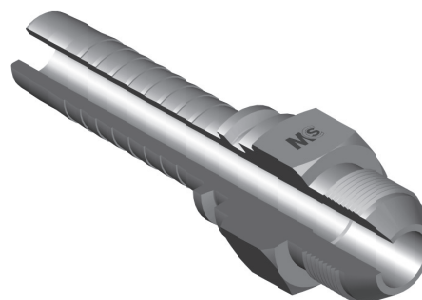
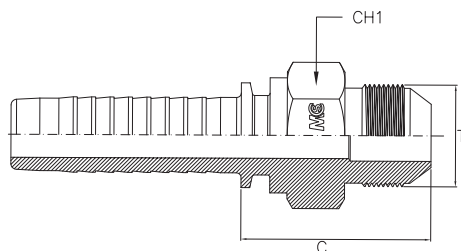


Bar W.P.	Codice Part Number	Filetto Thread	Ø Int. Tubo Inch. Hose I.D.	C Cut - Off	CH1
700	BSPM0404HP	1/4"	1/4"	29,0	19
	BSPM0606HP	3/8"	3/8"	31,0	22
	BSPM0808HP	1/2"	1/2"	34,5	27

**MASCHIO JIC CONO 74° - HP 700 Bar**

**JIC MALE 74° CONE - HP 700 Bar**

- AGJ - HP



Bar W.P.	Codice Part Number	Filetto Thread	Ø Int. Tubo Inch. Hose I.D.	C Cut - Off	CH1
700	JM0704HP	7/16"	1/4"	29,5	14
	JM0906HP	9/16"	3/8"	30,5	17
	JM1208HP	3/4"	1/2"	32,0	22