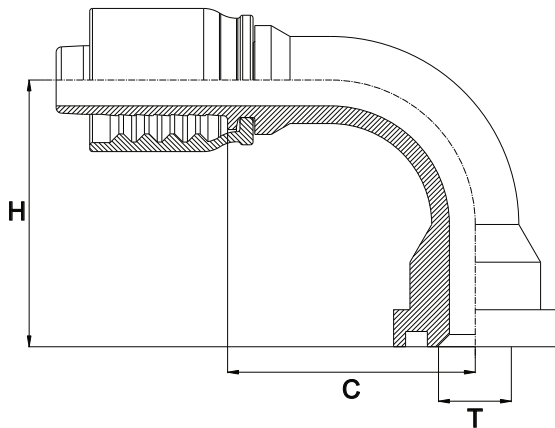


FLANGIA 90° SAE SERIE 6000 PSI
90° SAE FLANGE 6000 PSI
- SFS 90° -



Bar W.P.	Codice Part Number	Flangia Flange	Ø Int. Tubo Inch. Hose I.D.	T	C Cut - Off	H Drop
415	90SF60000808PC	1/2"	1/2"	31,7	38,5	50,0
	90SF60001208PC	3/4"	1/2"	41,3	39,0	47,5
350	90SF60001212PC	3/4"	3/4"	41,3	49,0	63,0
	90SF60001612PC	1"	3/4"	47,6	51,5	59,5
280	90SF60001616PC	1"	1"	47,6	62,0	76,0
	90SF60002016PC	1" 1/4	1"	54,0	71,5	86,0
210	90SF60002020PC	1" 1/4	1" 1/4	54,0	82,0	95,0
	90SF60002420PC	1" 1/2	1" 1/4	63,5	-	-
185	90SF60002424PC	1" 1/2	1" 1/2	63,5	111,0	118,0