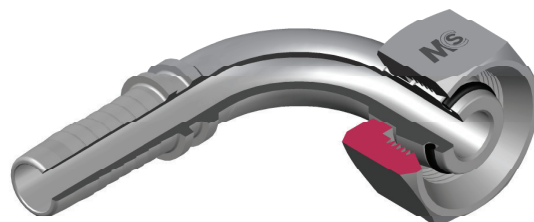
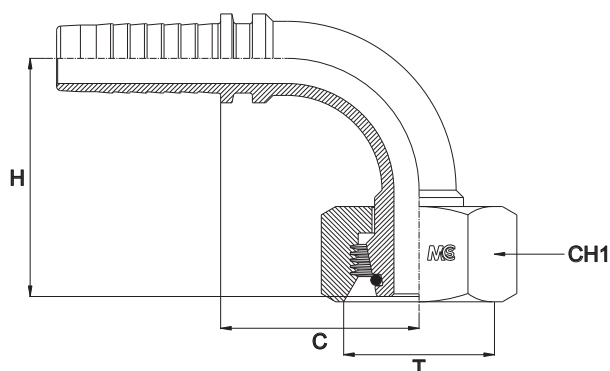


FEMMINA GIREVOLE 90° O'RING FILETTO METRICO CONO 24° - SERIE PESANTE
90° O'RING METRIC SWIVEL FEMALE 24° CONE - HEAVY TYPE
- DKOS 90° -



Bar W.P.	Codice Part Number	Filetto Thread	Ø Int. Tubo Inch. Hose I.D.	DIN 24°	C Cut - Off	H Drop	CH1
420	900RMSFH0603	14x1,5	3/16"	06S	24,5	32,0	17
450	900RMSFH0604	14x1,5	1/4"	06S	27,0	32,0	17
420	900RMSFH0803	16x1,5	3/16"	08S	27,0	32,0	19
450	900RMSFH0804	16x1,5	1/4"	08S	22,5	33,5	19
350	900RMSFH0805	16x1,5	5/16"	08S	37,0	36,5	19
350	900RMSFH0806	16x1,5	3/8"	08S	35,0	37,5	19
450	900RMSFH1004	18x1,5	1/4"	10S	28,0	35,5	22
350	900RMSFH1005	18x1,5	5/16"	10S	37,0	36,5	22
450	900RMSFH1006	18x1,5	3/8"	10S	37,0	37,5	22
	900RMSFH1204	20x1,5	1/4"	12S	27,0	36,5	24
350	900RMSFH1205	20x1,5	5/16"	12S	37,0	37,0	24
450	900RMSFH1206	20x1,5	3/8"	12S	35,5	36,5	24
420	900RMSFH1208	20x1,5	1/2"	12S	37,0	47,5	24
450	900RMSFH1406	22x1,5	3/8"	14S	39,5	38,5	27
	900RMSFH1408	22x1,5	1/2"	14S	40,0	46,5	27
420	900RMSFH1606	24x1,5	3/8"	16S	35,4	43,0	30
	900RMSFH1608	24x1,5	1/2"	16S	36,5	45,5	30
	900RMSFH1610	24x1,5	5/8"	16S	42,0	50,0	30
	900RMSFH2008	30x2	1/2"	20S	40,0	48,0	36
350	900RMSFH2010	30x2	5/8"	20S	42,0	50,0	36
	900RMSFH2012	30x2	3/4"	20S	47,5	65,5	36
	900RMSFH2512	36x2	3/4"	25S	55,5	60,5	46
	900RMSFH2516	36x2	1"	25S	69,5	74,5	46
280	900RMSFH3012	42x2	3/4"	30S	53,0	65,0	50
	900RMSFH3016	42x2	1"	30S	68,0	78,5	50
210	900RMSFH3820	52x2	1" 1/4	38S	84,0	93,0	60
185	900RMSFH3824	52x2	1" 1/2	38S	108,0	112,0	60
	900RMSFH5024	68x2	1" 1/2	50S	-	-	80