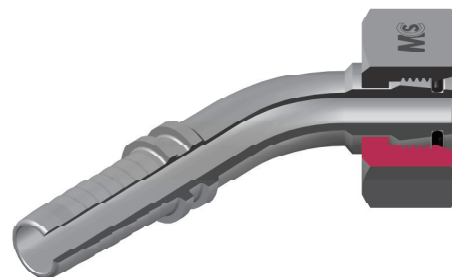
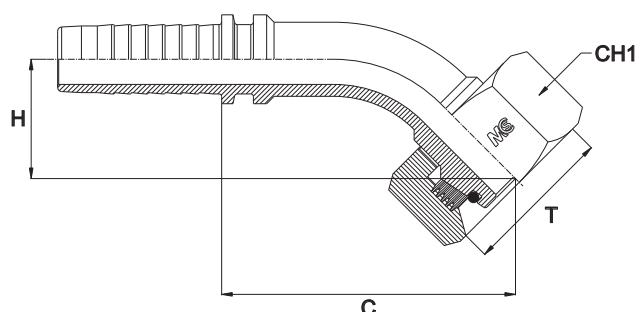


**FEMMINA GIREVOLE 45° O'RING FILETTO METRICO CONO 24° - SERIE PESANTE**  
**45° O'RING METRIC SWIVEL FEMALE 24° CONE - HEAVY TYPE**  
**- DKOS 45° -**



Bar W.P.	Codice Part Number	Filetto Thread	Ø Int. Tubo Inch. Hose I.D.	DIN 24°	C Cut - Off	H Drop	CH1
420	45ORMSFH0603	14x1,5	3/16"	06S	-	-	17
450	45ORMSFH0604	14x1,5	1/4"	06S	-	-	17
420	45ORMSFH0803	16x1,5	3/16"	08S	-	-	19
450	45ORMSFH0804	16x1,5	1/4"	08S	47,0	16,5	19
350	45ORMSFH0805	16x1,5	5/16"	08S	-	-	19
450	45ORMSFH1004	18x1,5	1/4"	10S	48,5	22,5	22
350	45ORMSFH1005	18x1,5	5/16"	10S	-	-	22
450	45ORMSFH1006	18x1,5	3/8"	10S	55,0	19,0	22
	45ORMSFH1204	20x1,5	1/4"	12S	-	-	24
350	45ORMSFH1205	20x1,5	5/16"	12S	55,0	18,5	24
450	45ORMSFH1206	20x1,5	3/8"	12S	58,5	22,5	24
420	45ORMSFH1208	20x1,5	1/2"	12S	-	-	24
450	45ORMSFH1406	22x1,5	3/8"	14S	57,0	25,5	27
	45ORMSFH1408	22x1,5	1/2"	14S	-	-	27
420	45ORMSFH1606	24x1,5	3/8"	16S	-	-	30
	45ORMSFH1608	24x1,5	1/2"	16S	67,5	28,0	30
350	45ORMSFH1610	24x1,5	5/8"	16S	68,0	23,0	30
	45ORMSFH2008	30x2	1/2"	20S	-	-	36
	45ORMSFH2010	30x2	5/8"	20S	73,5	28,5	36
	45ORMSFH2012	30x2	3/4"	20S	87,0	29,5	36
	45ORMSFH2512	36x2	3/4"	25S	89,5	35,0	46
280	45ORMSFH2516	36x2	1"	25S	110,5	35,0	46
	45ORMSFH3012	42x2	3/4"	30S	89,0	30,5	50
	45ORMSFH3016	42x2	1"	30S	110,5	35,0	50
210	45ORMSFH3820	52x2	1" 1/4	38S	138,0	62,0	60
185	45ORMSFH3824	52x2	1" 1/2	38S	-	-	60
	45ORMSFH5024	68x2	1" 1/2	50S	-	-	80