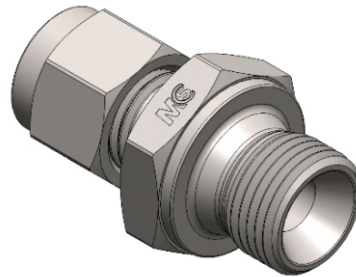
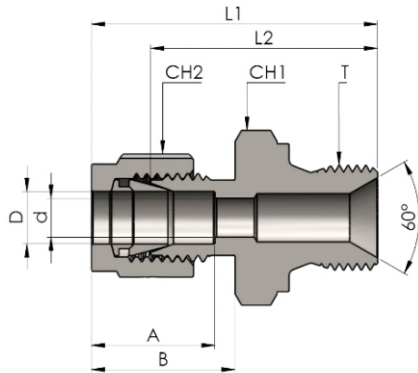


Connettore Maschio BSP

BSP Male Connector



Connects Fractional Tubes

Codice Part Number	D		T (BSP)	d	CH1		CH2		A	B	L1	L2
	in	mm			in	mm	in	mm				
SUBSP0202	1/8	3,17	1/8	2,28	9/16	14,28	7/16	11,11	12,70	15,24	33,27	24,20
SUBSP0204	1/8	3,17	1/4	2,28	3/4	19,05	7/16	11,11	12,70	15,24	38,10	28,20
SUBSP0206	1/8	3,17	3/8	2,28	7/8	22,22	7/16	11,11	12,70	15,24	38,86	30,20
SUBSP0402	1/4	6,35	1/8	4,06	9/16	14,28	9/16	14,28	15,24	17,78	35,56	26,00
SUBSP0404	1/4	6,35	1/4	4,83	3/4	19,05	9/16	14,28	15,24	17,78	40,39	30,00
SUBSP0406	1/4	6,35	3/8	4,83	7/8	22,22	9/16	14,28	15,24	17,78	41,15	32,00
SUBSP0408	1/4	6,35	1/2	4,83	1.1/16	26,98	9/16	14,28	15,24	17,78	43,18	34,00
SUBSP0602	3/8	9,52	1/8	4,06	5/8	15,87	11/16	17,46	16,76	19,30	37,85	27,50
SUBSP0604	3/8	9,52	1/4	5,84	3/4	19,05	11/16	17,46	16,76	19,30	41,91	31,50
SUBSP0606	3/8	9,52	3/8	7,11	7/8	22,22	11/16	17,46	16,76	19,30	42,67	32,50
SUBSP0608	3/8	9,52	1/2	7,11	1.1/16	26,98	11/16	17,46	16,76	19,30	44,70	23,50
SUBSP0804	1/2	12,70	1/4	5,84	13/16	20,63	7/8	22,22	22,86	21,84	44,70	31,30
SUBSP0806	1/2	12,70	3/8	7,87	7/8	22,22	7/8	22,22	22,86	21,84	45,47	33,33
SUBSP0808	1/2	12,70	1/2	10,41	1.1/16	26,98	7/8	22,22	22,86	21,84	47,50	35,30
SUBSP1208	3/4	19,05	1/2	11,94	1.1/16	26,98	1.1/8	28,57	24,38	21,84	48,77	35,30
SUBSP1212	3/4	19,05	3/4	15,75	1.5/16	33,33	1.1/8	28,57	24,38	21,84	52,07	36,80
SUBSP1608	1	25,4	1/2	11,94	1.3/8	34,92	1.1/2	38,10	31,24	26,41	55,63	37,70
SUBSP1612	1	25,4	3/4	16,00	1.3/8	34,92	1.1/2	38,10	31,24	26,41	57,66	39,20
SUBSP1616	1	25,4	1	19,81	1.5/8	41,27	1.1/2	38,10	31,24	26,41	59,69	46,20