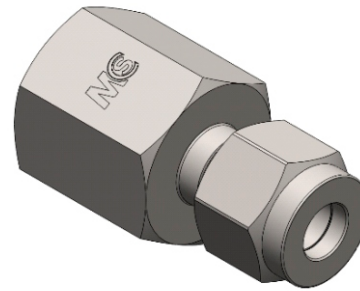
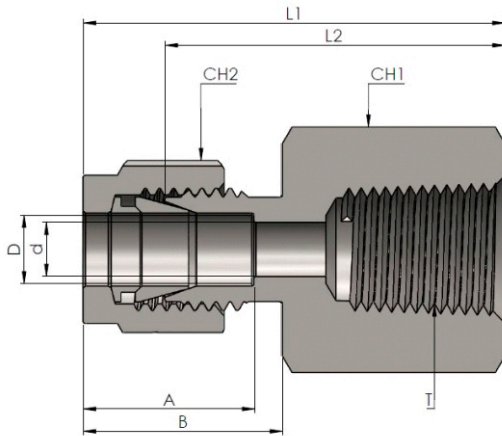


Connettore Femmina GAS Conico

BSPT Female Connector



Connects Fractional Tubes

| Codice Part Number | D | | T (BSPT) | d | CH1 | | CH2 | | A | B | L1 | L2 |
|--------------------|-----|-------|----------|-------|--------|-------|-------|-------|-------|-------|-------|-------|
| | in | mm | | | in | mm | in | mm | | | | |
| SUBSPTF0202 | 1/8 | 3,17 | 1/8 | 2,28 | 9/16 | 14,28 | 7/16 | 11,11 | 12,70 | 15,24 | 28,70 | 22,09 |
| SUBSPTF0402 | 1/4 | 6,35 | 1/8 | 4,82 | 9/16 | 14,28 | 9/16 | 14,28 | 15,24 | 17,78 | 31,24 | 23,87 |
| SUBSPTF0404 | 1/4 | 6,35 | 1/4 | 4,82 | 3/4 | 19,05 | 9/16 | 14,28 | 15,24 | 17,78 | 35,81 | 28,44 |
| SUBSPTF0406 | 1/4 | 6,35 | 3/8 | 4,82 | 7/8 | 22,22 | 9/16 | 14,28 | 15,24 | 17,78 | 37,59 | 30,22 |
| SUBSPTF0408 | 1/4 | 6,35 | 1/2 | 4,82 | 1.1/16 | 26,98 | 9/16 | 14,28 | 15,24 | 17,78 | 42,41 | 35,05 |
| SUBSPTF0604 | 3/8 | 9,52 | 1/4 | 7,11 | 3/4 | 19,05 | 11/16 | 17,46 | 16,76 | 19,30 | 37,59 | 30,22 |
| SUBSPTF0606 | 3/8 | 9,52 | 3/8 | 7,11 | 7/8 | 22,22 | 11/16 | 17,46 | 16,76 | 19,30 | 39,11 | 31,75 |
| SUBSPTF0608 | 3/8 | 9,52 | 1/2 | 7,11 | 1.1/16 | 26,98 | 11/16 | 17,46 | 16,76 | 19,30 | 43,94 | 36,57 |
| SUBSPTF0804 | 1/2 | 12,70 | 1/4 | 10,41 | 13/16 | 20,63 | 7/8 | 22,22 | 22,86 | 21,84 | 40,38 | 30,22 |
| SUBSPTF0806 | 1/2 | 12,70 | 3/8 | 10,41 | 7/8 | 22,22 | 7/8 | 22,22 | 22,86 | 21,84 | 41,91 | 31,75 |
| SUBSPTF0808 | 1/2 | 12,70 | 1/2 | 10,41 | 1.1/16 | 26,98 | 7/8 | 22,22 | 22,86 | 21,84 | 46,73 | 36,57 |

Connects Metric Tubes

| Codice Part Number | D | T (BSPT) | d | CH1 | CH2 | A | B | L1 | L2 |
|--------------------|----|----------|------|-----|-----|------|------|------|------|
| SUBSPTF0302M | 3 | 1/8 | 2,4 | 14 | 11 | 12,9 | 15,3 | 28,7 | 22,1 |
| SUBSPTF0602M | 6 | 1/8 | 4,8 | 14 | 14 | 15,3 | 17,7 | 31,3 | 23,9 |
| SUBSPTF0604M | 6 | 1/4 | 4,8 | 19 | 14 | 15,3 | 17,7 | 35,8 | 28,4 |
| SUBSPTF0606M | 6 | 3/8 | 4,8 | 22 | 14 | 15,3 | 17,7 | 36,9 | 29,5 |
| SUBSPTF0608M | 6 | 1/2 | 4,8 | 27 | 14 | 15,3 | 17,7 | 42,5 | 35,1 |
| SUBSPTF0802M | 8 | 1/8 | 6,4 | 17 | 16 | 16,2 | 18,6 | 32,1 | 24,6 |
| SUBSPTF0804M | 8 | 1/4 | 6,4 | 19 | 16 | 16,2 | 18,6 | 37,0 | 29,5 |
| SUBSPTF0806M | 8 | 3/8 | 6,4 | 2 | 16 | 16,2 | 18,6 | 37,7 | 30,2 |
| SUBSPTF0808M | 8 | 1/2 | 6,4 | 27 | 16 | 16,2 | 18,6 | 43,3 | 35,8 |
| SUBSPTF1002M | 10 | 1/8 | 7,9 | 19 | 19 | 17,2 | 19,5 | 33,0 | 25,4 |
| SUBSPTF1004M | 10 | 1/4 | 7,9 | 19 | 19 | 17,2 | 19,5 | 37,8 | 30,2 |
| SUBSPTF1006M | 10 | 3/8 | 7,9 | 22 | 19 | 17,2 | 19,5 | 38,6 | 31,0 |
| SUBSPTF1008M | 10 | 1/2 | 7,9 | 27 | 19 | 17,2 | 19,5 | 44,2 | 36,6 |
| SUBSPTF1202M | 12 | 1/8 | 9,5 | 22 | 22 | 22,8 | 22,0 | 38,5 | 28,4 |
| SUBSPTF1204M | 12 | 1/4 | 9,5 | 22 | 22 | 22,8 | 22,0 | 40,3 | 30,2 |
| SUBSPTF1206M | 12 | 3/8 | 9,5 | 22 | 22 | 22,8 | 22,0 | 41,1 | 31,0 |
| SUBSPTF1208M | 12 | 1/2 | 9,5 | 27 | 22 | 22,8 | 22,0 | 46,7 | 36,6 |
| SUBSPTF1212M | 12 | 3/4 | 9,5 | 36 | 22 | 22,8 | 22,0 | 49,0 | 38,9 |
| SUBSPTF1506M | 15 | 3/8 | 11,9 | 27 | 26 | 24,4 | 22,0 | 41,9 | 36,6 |
| SUBSPTF1508M | 15 | 1/2 | 11,9 | 27 | 26 | 24,4 | 22,0 | 46,7 | 36,6 |
| SUBSPTF2008M | 20 | 1/2 | 15,9 | 30 | 32 | 26,0 | 22,0 | 47,9 | 37,8 |
| SUBSPTF2012M | 20 | 3/4 | 15,9 | 36 | 32 | 26,0 | 22,0 | 49,7 | 39,6 |
| SUBSPTF2212M | 22 | 3/4 | 18,3 | 36 | 32 | 26,0 | 22,0 | 49,7 | 39,6 |
| SUBSPTF2216M | 22 | 1 | 18,3 | 41 | 32 | 26,0 | 22,0 | 57,9 | 47,8 |
| SUBSPTF2512M | 25 | 3/4 | 21,8 | 35 | 38 | 31,3 | 26,5 | 53,4 | 41,1 |
| SUBSPTF2516M | 25 | 1 | 21,8 | 41 | 38 | 31,3 | 26,5 | 62,3 | 50,0 |