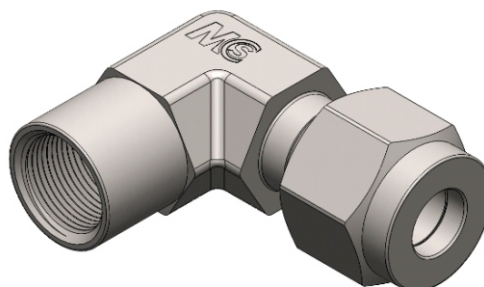
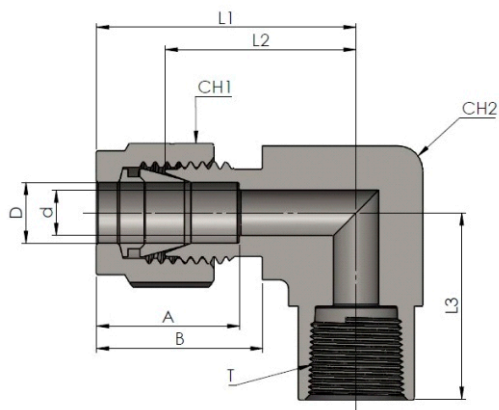


Adattatore a Gomito Femmina NPT

NPT Female Elbow



Connects Fractional Tubes

Codice Part Number	D		T (NPT)	d	CH1		CH2		A	B	L1	L2	L3
	in	mm			in	mm	in	mm					
LUNPTF0202	1/8	3,17	1/8	2,28	7/16	11,11	9/16	14,29	12,70	15,24	24,63	18,03	19,05
LUNPTF0204	1/8	3,17	1/4	22,8	7/16	11,11	13/16	20,64	12,70	15,24	27,43	20,82	22,35
LUNPTF0302	3/16	4,76	1/8	3,04	1/2	12,70	9/16	14,29	13,71	16,00	25,40	18,79	19,05
LUNPTF0402	1/4	6,35	1/8	4,82	9/16	14,28	9/16	14,29	15,24	17,78	26,92	19,55	19,05
LUNPTF0404	1/4	6,35	1/4	4,82	9/16	14,28	13/16	20,64	15,24	17,78	29,71	22,35	22,35
LUNPTF0406	1/4	6,35	3/8	4,82	9/16	14,28	13/16	20,64	15,24	17,78	31,75	24,38	22,35
LUNPTF0408	1/4	6,35	1/2	4,82	9/16	14,28	1.1/16	26,99	15,24	17,78	34,54	27,17	28,44
LUNPTF0502	5/16	7,93	1/8	6,35	5/8	15,87	9/16	14,29	16,25	18,54	28,70	21,33	19,05
LUNPTF0504	5/16	7,93	1/4	6,35	5/8	15,87	13/16	20,64	16,25	18,54	30,48	23,11	22,35
LUNPTF0602	3/8	9,52	1/8	7,11	11/16	17,46	9/16	14,29	16,76	19,30	30,48	23,11	19,05
LUNPTF0604	3/8	9,52	1/4	7,11	11/16	17,46	13/16	20,64	16,76	19,30	31,24	23,87	22,35
LUNPTF0606	3/8	9,52	3/8	7,11	11/16	17,46	13/16	20,64	16,76	19,30	33,27	25,90	22,35
LUNPTF0608	3/8	9,52	1/2	7,11	11/16	17,46	1.1/16	26,99	16,76	19,30	36,06	28,70	28,44
LUNPTF0804	1/2	12,70	1/4	10,41	7/8	22,22	13/16	20,64	22,86	21,84	36,06	25,90	22,35
LUNPTF0806	1/2	12,70	3/8	10,41	7/8	22,22	13/16	20,64	22,86	21,84	36,06	25,90	22,35
LUNPTF0808	1/2	12,70	1/2	10,41	7/8	22,22	1.1/16	26,99	22,86	21,84	38,86	28,70	28,44
LUNPTF1006	5/8	15,87	3/8	12,70	1	25,40	13/16	20,64	24,38	21,84	38,10	27,94	22,35
LUNPTF1008	5/8	15,87	1/2	12,70	1	25,40	1.1/16	26,99	24,38	21,84	39,87	29,71	28,44
LUNPTF1208	3/4	19,05	1/2	15,74	1.1/8	28,57	1.1/16	26,99	24,38	21,84	39,87	29,71	28,44
LUNPTF1212	3/4	19,05	3/4	15,74	1.1/8	28,57	1.3/8	34,93	24,38	21,84	44,70	34,54	31,75
LUNPTF1412	7/8	22,22	3/4	18,28	1.1/4	31,75	1.3/8	34,93	25,90	21,84	44,70	34,54	31,75
LUNPTF1612	1	25,40	3/4	22,35	1.1/2	38,10	1.3/8	34,93	31,24	26,41	49,02	36,83	31,75
LUNPTF1616	1	25,40	1	22,35	1.1/2	38,10	1.11/16	42,86	31,24	26,41	50,29	38,10	38,10