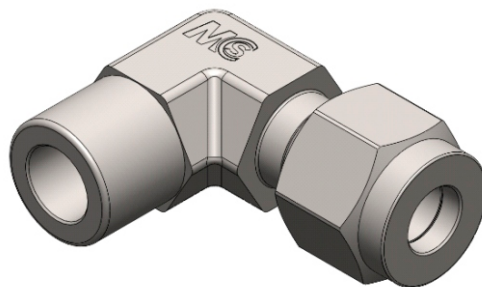
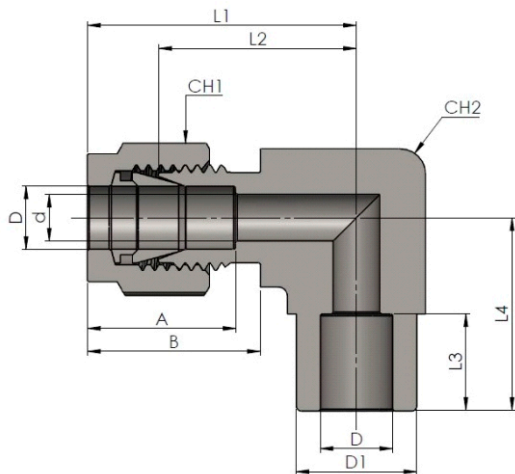


## Connettore a Gomito con Tasca a Saldare

Socketed Weld Elbow



### Connects Fractional Tubes

Codice Part Number	D		d	CH1		CH2		A	B	L1	L2	L3	L4
	in	mm		in	mm	in	mm						
LUSW0404	1/4	6,35	4,82	9/16	14,28	7/16	11,11	15,24	17,78	26,92	19,55	7,87	19,55
LUSW0606	3/8	9,52	7,11	11/16	17,46	9/16	14,28	16,76	19,30	30,48	23,11	9,65	23,11
LUSW0808	1/2	12,70	10,41	7/8	22,22	13/16	20,63	22,86	21,84	36,06	25,90	12,70	25,90
LUSW1212	3/4	19,05	15,74	1.1/8	28,57	1.1/16	26,97	24,38	21,84	39,87	29,71	14,22	29,71
LUSW1616	1	25,40	22,35	1.1/2	38,10	1.3/8	34,92	31,24	26,41	49,01	36,83	19,05	36,83