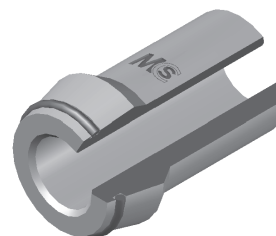
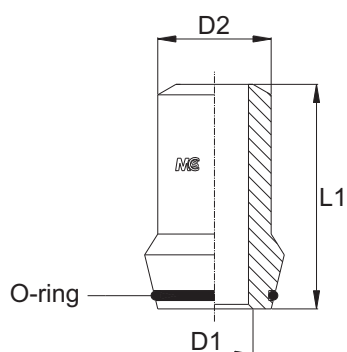


CODOLO A SALDARE CON O'RING WELD ON NIPPLE WITH O'RING



Serie Series	Bar W.P.	Codice Part Number	Spessore Thickness	Ø Est. Tubo Tube O.D.	D1	D2	L1
L/S	630	OSM6175	6x1,75	6	2,5	6,0	31,0
		OSM82	8x2,00	8	4,0	8,0	31,0
		OSM1225	12x2,50	12	7,0	12,0	32,5
	400	OSM102	10x2,00	10	6,0	10,0	32,5
		OSM122	12x2,00	12	8,0	12,0	32,5
	315	OSM1015	10x1,50	10	7,0	10,0	32,5
OSM1215		12x1,50	12	9,0	12,0	32,5	
L	315	OSM1525	15x2,50	15	10,0	15,0	34,0
		OSM1825	18x2,50	18	13,0	18,0	35,5
	160	OSM2225	22x2,50	22	17,0	22,0	38,5
		OSM2825	28x2,50	28	23,0	28,0	41,5
		OSM353	35x3,00	35	29,0	35,0	47,5
		OSM423	42x3,00	42	36,0	42,0	47,5
S	400	OSM143	14x3,00	14	8,0	14,0	38,5
		OSM163	16x3,00	16	10,0	16,0	39,0
		OSM204	20x4,00	20	12,0	20,0	45,0
		OSM255	25x5,00	25	15,0	25,0	49,5
	315	OSM1625	16x2,50	16	11,0	16,0	39,0
		OSM203	20x3,00	20	14,0	20,0	45,0
		OSM254	25x4,00	25	17,0	25,0	49,5
		OSM305	30x5,00	30	20,0	30,0	52,0
		OSM306	30x6,00	30	18,0	30,0	52,0
		OSM386	38x6,00	38	26,0	38,0	56,5
	250	OSM388	38x8,00	38	22,0	38,0	56,5
		OSM162	16x2,00	16	12,0	16,0	39,0
		OSM2025	20x2,50	20	15,0	20,0	45,0
		OSM253	25x3,00	25	19,0	25,0	49,5
	160	OSM304	30x4,00	30	22,0	30,0	52,0
		OSM385	38x5,00	38	28,0	38,0	56,5
		OSM303	30x3,00	30	24,0	30,0	52,0
		OSM383	38x3,00	38	32,0	38,0	56,5