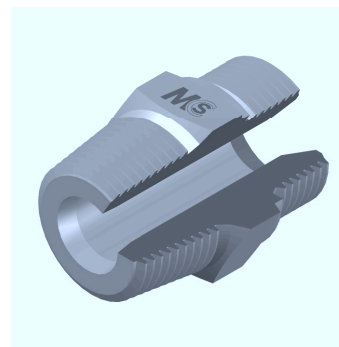
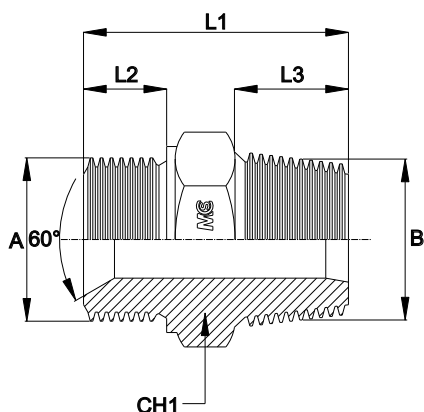


ADATTATORE MASCHIO DIRITTO

Filetto Gas Cilindrico/NPT

MALE STRAIGHT ADAPTOR

Thread BSP Parallel/NPT



Bar W.P.	Codice Part Number	A	B	L1	L2	L3	CH1
350	BSPNPTMA0202	1/8"	1/8"	26,5	8,0	10,0	14
300	BSPNPTMA0404	1/4"	1/4"	33,5	11,0	14,0	19
280	BSPNPTMA0606	3/8"	3/8"	35,5	12,0	14,0	22
200	BSPNPTMA0808	1/2"	1/2"	42,5	14,0	19,0	27
	BSPNPTMA1212	3/4"	3/4"	46,0	16,0	19,0	32
120	BSPNPTMA1616	1"	1"	56,0	19,0	24,0	41
105	BSPNPTMA2020	1" 1/4	1" 1/4	57,5	20,0	24,5	50
	BSPNPTMA2424	1" 1/2	1" 1/2	59,5	20,0	25,0	55
70	BSPNPTMA3232	2"	2"	66,0	24,5	26,0	70

Reducing Adaptor - Riduzioni

300	BSPNPTMRA0204	1/8"	1/4"	30,5	8,0	14,0	14
	BSPNPTMRA0402	1/4"	1/8"	29,5	11,0	10,0	19
280	BSPNPTMRA0406	1/4"	3/8"	34,5	11,0	14,0	19
200	BSPNPTMRA0408	1/4"	1/2"	41,0	11,0	19,0	22
300	BSPNPTMRA0604	3/8"	1/4"	35,5	12,0	14,0	22
200	BSPNPTMRA0608	3/8"	1/2"	42,0	12,0	19,0	22
	BSPNPTMRA0612	3/8"	3/4"	41,0	12,0	19,0	27
	BSPNPTMRA0804	1/2"	1/4"	37,5	14,0	14,0	27
	BSPNPTMRA0806	1/2"	3/8"	37,5	14,0	14,0	27
	BSPNPTMRA0812	1/2"	3/4"	43,0	14,0	19,0	27
	BSPNPTMRA1206	3/4"	3/8"	41,0	16,0	14,0	32
	BSPNPTMRA1208	3/4"	1/2"	46,0	16,0	19,0	32
120	BSPNPTMRA1216	3/4"	1"	52,0	16,0	24,0	36
105	BSPNPTMRA1224	3/4"	1" 1/2	54,5	16,0	25,0	50
120	BSPNPTMRA1612	1"	3/4"	54,0	19,0	19,0	41
105	BSPNPTMRA1620	1"	1" 1/4	57,0	19,0	24,5	46
	BSPNPTMRA2016	1" 1/4	1"	56,0	20,0	19,0	50
	BSPNPTMRA2024	1" 1/4	1" 1/2	52,5	20,0	25,0	55
	BSPNPTMRA2420	1" 1/2	1" 1/4	59,5	20,0	24,5	55
70	BSPNPTMRA2432	1" 1/2	2"	61,5	20,0	26,0	65
	BSPNPTMRA3224	2"	1" 1/2	65,0	24,5	25,0	70