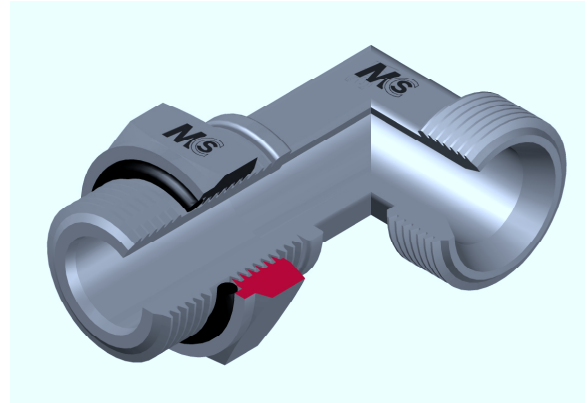
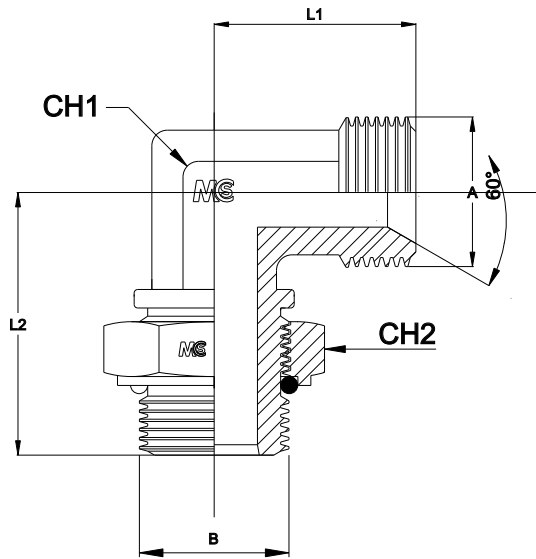


ADATTATORE A 90° ORIENTABILE con o'ring e Rondella Speciale

Filetto Gas Cilindrico

ADJUSTABLE MALE STUD ELBOW with o'ring and Special Washer

Thread BSP Parallel



Bar W.P.	Codice Part Number	A	B	L1	L2	CH1	CH2
350	LBSPMA0202ADJ	1/8"	1/8"	21,0	26,0	12	14
315	LBSPMA0404ADJ	1/4"	1/4"	26,0	32,0	14	19
250	LBSPMA0606ADJ	3/8"	3/8"	29,0	37,0	19	22
	LBSPMA0808ADJ	1/2"	1/2"	34,0	43,0	24	27
	LBSPMA1212ADJ	3/4"	3/4"	41,0	49,0	27	36
200	LBSPMA1616ADJ	1"	1"	45,0	52,0	33	41
	LBSPMA2020ADJ	1" 1/4	1" 1/4	52,0	58,0	41	50
160	LBSPMA2424ADJ	1" 1/2	1" 1/2	59,0	60,0	48	55