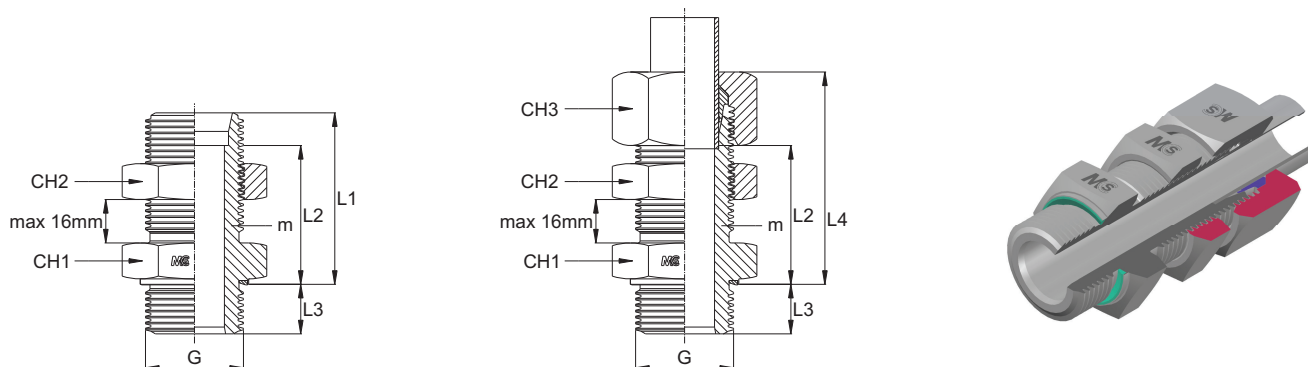


ADATTATORE TERMINALE PASSAPARETE CON CONTRODADO CON GUARNIZIONE BULCKHEAD STUD COUPLING WITH LOCKNUT AND CAPTIVE SEAL



Serie Series	Bar W.P.	Codice (Corpo) Part Number (Body)	Codice (Completo) Part Number (Complete)	Ø Est. Tubo Tube O.D.	m	G	L1	L2	L3	L4	CH1	CH2	CH3
L	315	GSV06LG1/8VB	GSV06LG1/8V	6	12x1,5	1/8"	39,5	32,5	8,0	47,5	17	17	14
		GSV08LG1/4VB	GSV08LG1/4V	8	14x1,5	1/4"	41,0	34,0	12,0	49,0	19	19	17
		GSV10LG1/4VB	GSV10LG1/4V	10	16x1,5	1/4"	43,0	36,0	12,0	51,0	22	22	19
		GSV12LG3/8VB	GSV12LG3/8V	12	18x1,5	3/8"	44,5	37,5	12,0	52,5	24	24	22
		GSV15LG1/2VB	GSV15LG1/2V	15	22x1,5	1/2"	48,0	41,0	14,0	56,0	27	30	27
	GSV18LG1/2VB	GSV18LG1/2V	18	26x1,5	1/2"	52,0	44,5	14,0	61,0	32	36	32	
	GSV22LG3/4VB	GSV22LG3/4V	22	30x2,0	3/4"	55,0	47,5	16,0	64,0	36	41	36	
	GSV28LG1VB	GSV28LG1V	28	36x2,0	1"	58,0	50,5	18,0	67,0	41	46	41	
	GSV35LG11/4VB	GSV35LG11/4V	35	45x2,0	1,1/4"	63,0	52,5	20,0	74,0	50	55	50	
GSV42LG11/2VB	GSV42LG11/2V	42	52x2,0	1,1/2"	64,0	53,0	22,0	76,0	60	65	60		
S	630	GSV06SG1/4VB	GSV06SG1/4V	6	14x1,5	1/4"	45,0	38,0	12,0	53,0	19	19	17
		GSV08SG1/4VB	GSV08SG1/4V	8	16x1,5	1/4"	46,0	39,0	12,0	54,0	22	22	19
		GSV10SG3/8VB	GSV10SG3/8V	10	18x1,5	3/8"	49,0	41,5	12,0	58,0	24	24	22
		GSV12SG3/8VB	GSV12SG3/8V	12	20x1,5	3/8"	50,0	42,5	12,0	59,0	27	27	24
	GSV14SG1/2VB	GSV14SG1/2V	14	22x1,5	1/2"	54,0	46,0	14,0	64,0	30	30	27	
	400	GSV16SG1/2VB	GSV16SG1/2V	16	24x1,5	1/2"	54,0	45,5	14,0	64,0	32	32	30
		GSV20SG3/4VB	GSV20SG3/4V	20	30x2,0	3/4"	59,0	48,5	16,0	72,0	41	41	36
		GSV25SG1VB	GSV25SG1V	25	36x2,0	1"	64,0	52,0	18,0	76,0	46	46	46
		GSV30SG11/4VB	GSV30SG11/4V	30	42x2,0	1,1/4"	69,0	55,5	20,0	82,0	50	50	50
		315	GSV38SG11/2VB	GSV38SG11/2V	38	52x2,0	1,1/2"	72,0	56,0	22,0	87,0	60	65