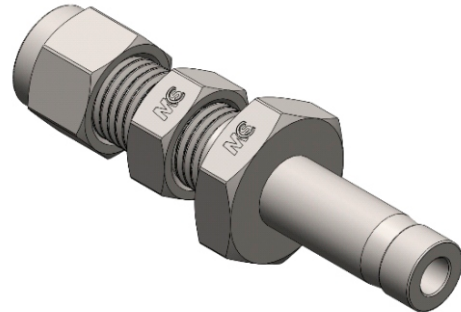
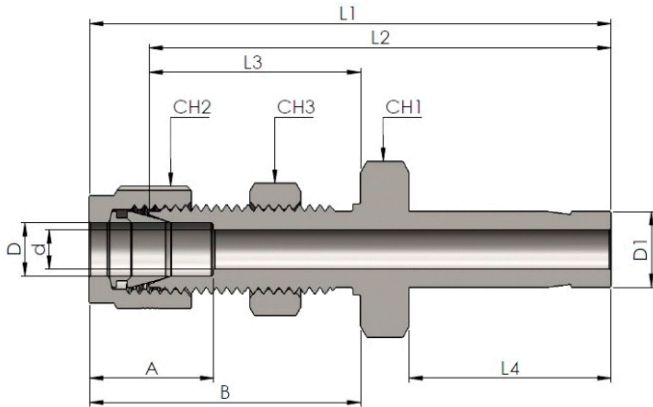


Adattatore passaparete

Bulkhead Adaptor



Connects Fractional Tubes

Codice Part Number	D, D1		d	CH1,CH3		CH2		A	B	L1	L2	L3	L4
	in	mm		in	mm	in	mm						
SUBKCN0202	1/8	3,17	2,03	9/16	14,28	7/16	11,11	12,70	31,24	49,53	42,92	24,63	13,46
SUBKCN0404	1/4	6,35	4,32	5/8	15,87	9/16	14,28	15,24	33,52	55,88	48,51	26,16	15,74
SUBKCN0606	3/8	9,52	6,86	3/4	19,05	11/16	17,46	16,76	36,83	61,21	53,84	29,46	17,52
SUBKCN0808	1/2	12,70	9,40	15/16	23,81	7/8	22,22	22,86	41,91	72,89	62,73	31,75	23,11
SUBKCN1010	5/8	15,87	11,94	1.1/16	26,98	1	25,40	24,38	42,67	75,18	65,02	32,51	24,70
SUBKCN1616	1	25,40	20,32	1.5/8	41,27	1.1/2	38,10	31,24	57,40	100,33	88,13	45,21	31,70