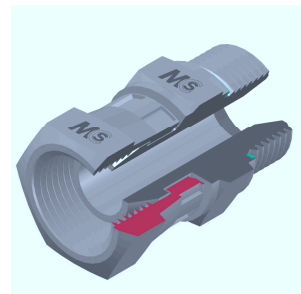
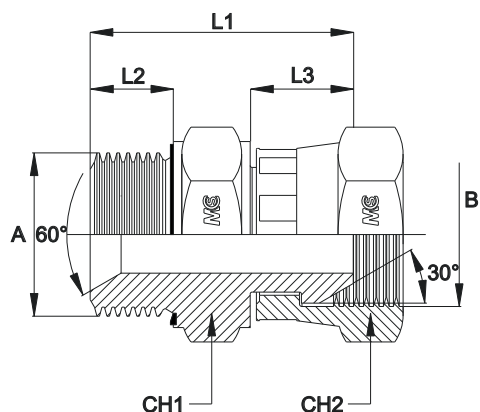


ADATTATORE MASCHIO/FEMMINA GIREVOLE CON GUARNIZIONE

Filetto Gas Cilindrico

MALE/SWIVEL FEMALE CONNECTOR WITH CAPTIVE SEAL

Thread BSP Parallel



Bar W.P.	Codice Part Number	A	B	L1	L2	L3	CH1	CH2
400	BSPMSFA0202V	1/8"	1/8"	27,7	8,0	9,7	14	17
	BSPMSFA0404V	1/4"	1/4"	32,5	11,0	9,7	19	19
	BSPMSFA0606V	3/8"	3/8"	35,5	12,0	12,3	22	22
350	BSPMSFA0808V	1/2"	1/2"	40,0	14,0	14,5	27	27
	BSPMSFA1010V	5/8"	5/8"	-	16,0	-	30	30
315	BSPMSFA1212V	3/4"	3/4"	45,0	16,0	16,0	32	32
250	BSPMSFA1616V	1"	1"	52,0	19,0	16,8	41	38
160	BSPMSFA2020V	1" 1/4	1" 1/4	53,0	20,0	16,5	50	50
	BSPMSFA2424V	1" 1/2	1" 1/2	58,0	20,0	20,5	55	55
125	BSPMSFA3232V	2"	2"	60,0	24,5	20,0	70	70

NOTE: VITON® è un marchio registrato dalla DuPont Dow Elastomers

NOTE: VITON® is a DuPont Dow Elastomers Trade Mark