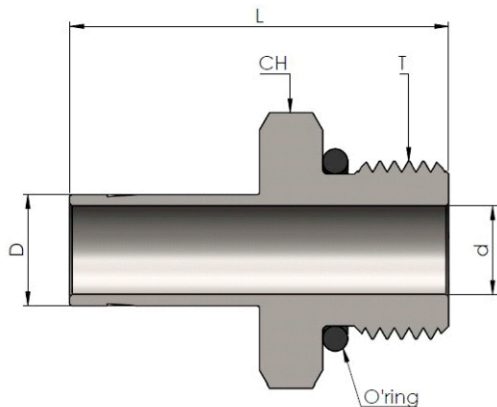


Adattatore Maschio SAE con O'ring

SAE Male Adaptor with o'ring seal



Connects Fractional Tubes to SAE

Codice Part Number	D		T (U)	d	CH		L
	in	mm			in	mm	
MASAE0202	1/8	3,17	5/16-24	2,03	7/16	11,11	30,48
MASAE0404	1/4	6,35	7/16-20	4,32	9/16	14,28	35,31
MASAE0604	3/8	9,52	7/16-20	5,08	9/16	14,28	37,08
MASAE0606	3/8	9,52	9/16-18	6,86	11/16	17,46	38,61
MASAE0608	3/8	9,52	3/4-16	6,86	7/8	22,22	40,64
MASAE0806	1/2	12,70	9/16-18	7,11	11/16	17,46	44,19
MASAE0808	1/2	12,70	3/4-16	9,40	7/8	22,22	46,23
MASAE1010	5/8	15,87	7/8-14	11,94	1	25,40	49,27
MASAE1212	3/4	19,05	1.1/16-12	14,73	1.1/4	31,75	53,34
MASAE1616	1	25,40	1.5/16-12	20,32	1.1/2	38,10	61,21
MASAE2020	1.1/4	31,75	1.5/8-12	25,91	1.7/8	47,62	71,37
MASAE2424	1.1/2	38,10	1.7/8-12	31,75	2.1/8	53,97	83,31
MASAE3232	2	50,80	2.1/2-12	43,69	2.3/4	69,85	107,44