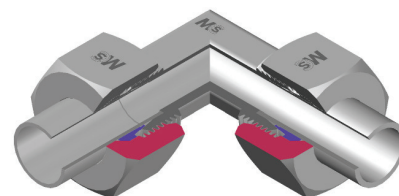
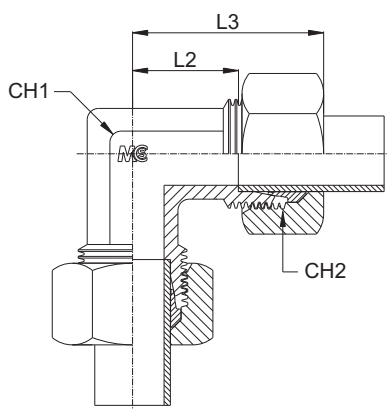
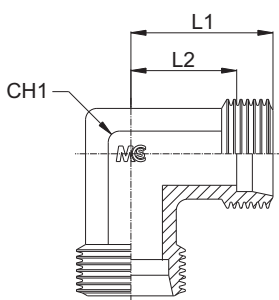


ADATTATORE MASCHIO INTERMEDIO A GOMITO MALE ELBOW UNION COUPLING



Serie Series	Bar W.P.	Codice (Corpo) Part Number (Body)	Codice (Completo) Part Number (Complete)	Ø Est. Tubo Tube O.D.	L1	L2	L3	CH1	CH2
L	630	LV06LB	LV06L	6	19,0	12,0	27,0	12	14
		LV08LB	LV08L	8	21,0	14,0	29,0	12	17
		LV10LB	LV10L	10	22,0	15,0	30,0	14	19
	450	LV12LB	LV12L	12	24,0	17,0	32,0	17	22
		LV15LB	LV15L	15	28,0	21,0	36,0	19	27
		LV18LB	LV18L	18	31,0	23,5	40,0	24	32
	300	LV22LB	LV22L	22	35,0	27,5	44,0	27	36
		LV28LB	LV28L	28	38,0	30,5	47,0	36	41
		LV35LB	LV35L	35	45,0	34,5	56,0	41	50
		LV42LB	LV42L	42	51,0	40,0	63,0	50	60
S	900	LV06SB	LV06S	6	23,0	16,0	31,0	12	17
		LV08SB	LV08S	8	24,0	17,0	32,0	14	19
	800	LV10SB	LV10S	10	25,0	17,5	34,0	17	22
		LV12SB	LV12S	12	29,0	21,5	38,0	17	24
	700	LV14SB	LV14S	14	30,0	22,0	40,0	19	27
		LV16SB	LV16S	16	33,0	24,5	43,0	24	30
	650	LV20SB	LV20S	20	37,0	26,5	48,0	27	36
		LV25SB	LV25S	25	42,0	30,0	54,0	36	46
		LV30SB	LV30S	30	49,0	35,5	62,0	41	50
420	LV38SB	LV38S	38	57,0	41,0	72,0	50	60	