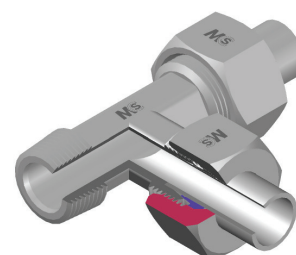
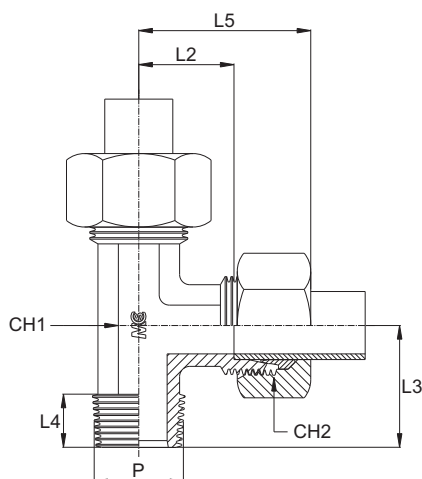
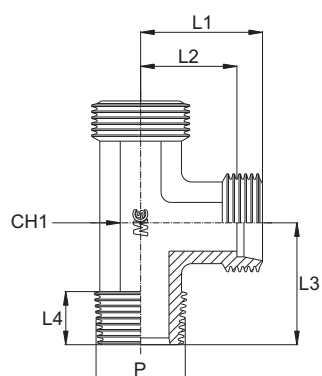


ADATTATORE MASCHIO DI ESTREMITÀ A T LATERALE

Filetto NPT

MALE STUD BARREL TEE

NPT Thread



Serie Series	Bar W.P.	Codice (Corpo) Part Number (Body)	Codice (Completo) Part Number (Complete)	Ø Est. Tubo Tube O.D.	P	L1	L2	L3	L4	L5	CH1	CH2	
L	315	TL06L1/8NPTB	TL06L1/8NPT	6	1/8"	19,0	12,0	20,0	10,0	27,0	12	14	
		TL08L1/4NPTB	TL08L1/4NPT	8	1/4"	21,0	14,0	26,0	15,0	29,0	12	17	
		TL10L1/4NPTB	TL10L1/4NPT	10	1/4"	22,0	15,0	27,0	15,0	30,0	14	19	
		TL12L3/8NPTB	TL12L3/8NPT	12	3/8"	24,0	17,0	28,0	15,0	32,0	17	22	
		TL15L1/2NPTB	TL15L1/2NPT	15	1/2"	28,0	21,0	34,0	19,5	36,0	19	27	
	TL18L1/2NPTB	TL18L1/2NPT	18	1/2"	31,0	23,5	36,0	19,5	40,0	24	32		
	160	TL22L3/4NPTB	TL22L3/4NPT	22	3/4"	35,0	27,5	42,0	20,0	44,0	27	36	
		TL28L1NPTB	TL28L1NPT	28	1"	38,0	30,5	48,0	25,0	47,0	36	41	
TL35L11/4NPTB		TL35L11/4NPT	35	1,1/4"	45,0	34,5	57,0	25,5	56,0	41	50		
		TL42L11/2NPTB	TL42L11/2NPT	42	1,1/2"	51,0	40,0	61,0	26,0	63,0	50	60	
S	630	TL06S1/4NPTB	TL06S1/4NPT	6	1/4"	23,0	16,0	26,0	15,0	31,0	12	17	
		TL08S1/4NPTB	TL08S1/4NPT	8	1/4"	24,0	17,0	27,0	15,0	32,0	14	19	
		TL10S3/8NPTB	TL10S3/8NPT	10	3/8"	25,0	17,5	28,0	15,0	34,0	17	22	
		TL12S3/8NPTB	TL12S3/8NPT	12	3/8"	29,0	21,5	28,0	15,0	38,0	17	24	
	TL14S1/2NPTB	TL14S1/2NPT	14	1/2"	30,0	22,0	34,0	19,5	40,0	19	27		
	400	TL16S1/2NPTB	TL16S1/2NPT	16	1/2"	33,0	24,5	36,0	19,5	43,0	24	30	
		TL20S3/4NPTB	TL20S3/4NPT	20	3/4"	37,0	26,5	42,0	20,0	48,0	27	36	
		TL25S1NPTB	TL25S1NPT	25	1"	42,0	30,0	48,0	25,0	54,0	36	46	
			TL30S11/4NPTB	TL30S11/4NPT	30	1,1/4"	49,0	35,5	57,0	25,5	62,0	41	50
	315		TL38S11/2NPTB	TL38S11/2NPT	38	1,1/2"	57,0	41,0	61,0	26,0	72,0	50	60