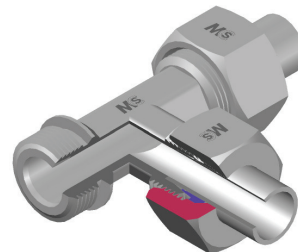
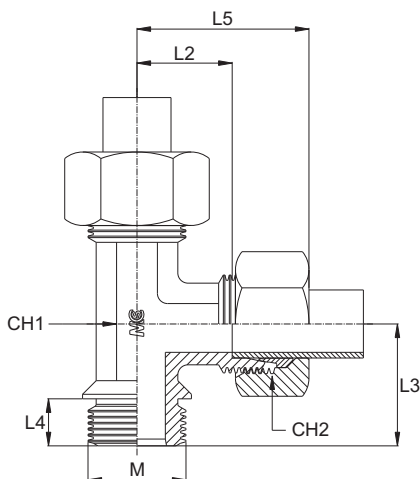
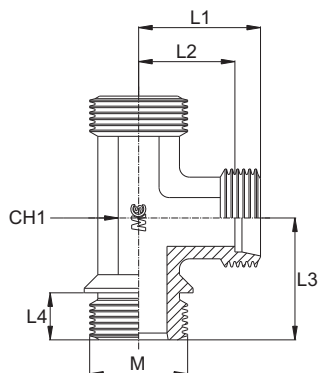


# ADATTATORE MASCHIO DI ESTREMITÀ A T LATERALE

Filetto Metrico Cilindrico

## MALE STUD BARREL TEE

Metric Parallel Thread



| Serie Series | Bar W.P. | Codice (Corpo) Part Number (Body) | Codice (Completo) Part Number (Complete) | Ø Est. Tubo Tube O.D. | M      | L1   | L2   | L3   | L4   | L5   | CH1 | CH2 |
|--------------|----------|-----------------------------------|--|-----------------------|--------|------|------|------|------|------|-----|-----|
| <b>L</b>     | 160      | TL22LM2615B                       | TL22LM2615                               | 22                    | 26x1,5 | 35,0 | 27,5 | 43,5 | 15,0 | 44,0 | 27  | 36  |
|              |          | TL28LM332B                        | TL28LM332                                | 28                    | 33x2,0 | 38,0 | 30,5 | 49,0 | 17,0 | 47,0 | 36  | 41  |
|              |          | TL35LM422B                        | TL35LM422                                | 35                    | 42x2,0 | 45,0 | 34,5 | 57,0 | 19,0 | 56,0 | 41  | 50  |
|              |          | TL42LM482B                        | TL42LM482                                | 42                    | 48x2,0 | 51,0 | 40,0 | 64,0 | 20,0 | 63,0 | 50  | 60  |
| <b>S</b>     | 400      | TL20SM272B                        | TL20SM272                                | 20                    | 27x2,0 | 37,0 | 26,5 | 43,5 | 15,0 | 48,0 | 27  | 36  |
|              |          | TL25SM332B                        | TL25SM332                                | 25                    | 33x2,0 | 42,0 | 30,0 | 49,0 | 17,0 | 54,0 | 36  | 46  |
|              |          | TL30SM422B                        | TL30SM422                                | 30                    | 42x2,0 | 49,0 | 35,5 | 57,0 | 19,0 | 62,0 | 41  | 50  |
|              |          | TL38SM482B                        | TL38SM482                                | 38                    | 48x2,0 | 57,0 | 41,0 | 64,0 | 20,0 | 72,0 | 50  | 60  |