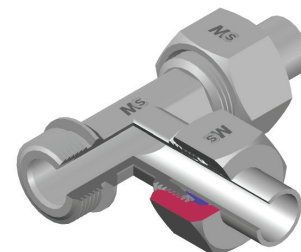
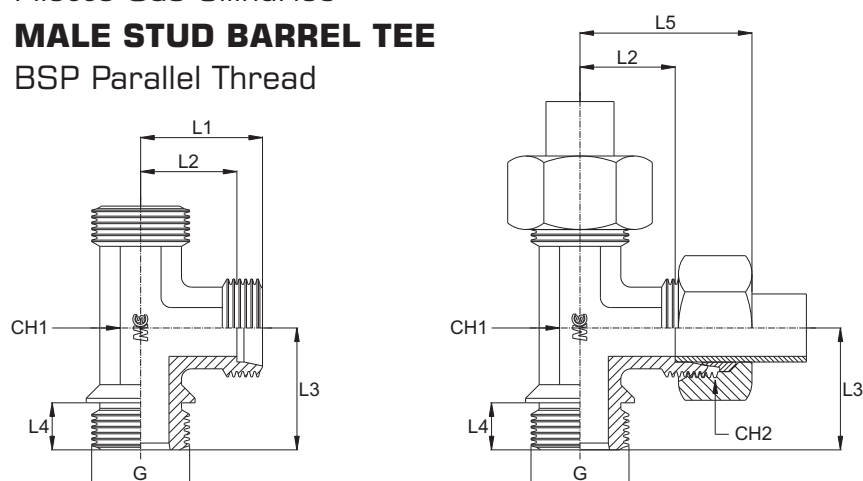


**ADATTATORE MASCHIO DI ESTREMITÀ A T LATERALE**

Filetto Gas Cilindrico

**MALE STUD BARREL TEE**

BSP Parallel Thread



Serie Series	Bar W.P.	Codice (Corpo) Part Number (Body)	Codice (Completo) Part Number (Complete)	Ø Est. Tubo Tube O.D.	G	L1	L2	L3	L4	L5	CH1	CH2
<b>L</b>	160	TL22LRG3/4B	TL22LRG3/4	22	3/4"	35,0	27,5	43,5	15,0	44,0	27	36
		TL28LRG1B	TL28LRG1	28	1"	38,0	30,5	49,0	17,0	47,0	36	41
		TL35LRG11/4B	TL35LRG11/4	35	1,1/4"	45,0	34,5	57,0	19,0	56,0	41	50
		TL42LRG11/2B	TL42LRG11/2	42	1,1/2"	51,0	40,0	64,0	20,0	63,0	50	60
<b>S</b>	400	TL20SRG3/4B	TL20SRG3/4	20	3/4"	37,0	26,5	43,5	15,0	48,0	27	36
		TL25SRG1B	TL25SRG1	25	1"	42,0	30,0	49,0	17,0	54,0	36	46
		TL30SRG11/4B	TL30SRG11/4	30	1,1/4"	49,0	35,5	57,0	19,0	62,0	41	50
		315	TL38SRG11/2B	TL38SRG11/2	38	1,1/2"	57,0	41,0	64,0	20,0	72,0	50