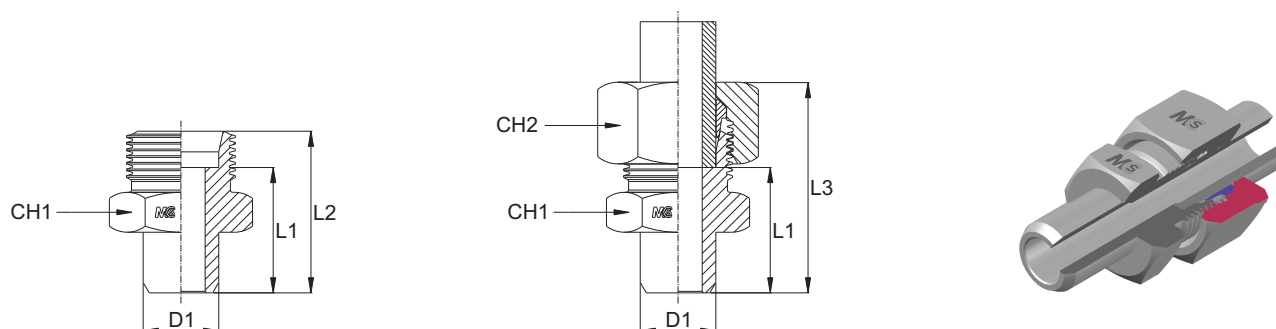


## ADATTATORE MASCHIO DI ESTREMITÀ A SALDARE WELD ON STRAIGHT MALE COUPLING (WELDING BOSS)



Serie Series	Bar W.P.	Codice (Corpo) Part Number (Body)	Codice (Completo) Part Number (Complete)	Ø Est. Tubo Tube O.D.	D1	L1	L2	L3	CH1	CH2
<b>L</b>	630	WB06LB	WB06L	6	10,0	14,0	21,0	29,0	14	14
		WB08LB	WB08L	8	12,0	16,0	23,0	31,0	14	17
		WB10LB	WB10L	10	14,0	18,0	25,0	33,0	17	19
	450	WB12LB	WB12L	12	16,0	18,0	25,0	33,0	19	22
		WB15LB	WB15L	15	19,0	22,0	29,0	37,0	22	27
		WB18LB	WB18L	18	22,0	23,5	31,0	40,0	27	32
	300	WB22LB	WB22L	22	27,0	28,5	36,0	45,0	32	36
		WB28LB	WB28L	28	32,0	30,5	38,0	47,0	41	41
WB35LB		WB35L	35	40,0	32,5	43,0	54,0	46	50	
		WB42LB	WB42L	42	46,0	35,0	46,0	58,0	55	60
<b>S</b>	900	WB06SB	WB06S	6	11,0	19,0	26,0	34,0	14	17
		WB08SB	WB08S	8	13,0	21,0	28,0	36,0	17	19
	800	WB10SB	WB10S	10	15,0	22,5	30,0	39,0	19	22
		WB12SB	WB12S	12	17,0	24,5	32,0	41,0	22	24
	700	WB14SB	WB14S	14	19,0	27,0	35,0	45,0	24	27
		WB16SB	WB16S	16	21,0	26,5	35,0	45,0	27	30
	650	WB20SB	WB20S	20	26,0	29,5	40,0	51,0	32	36
		WB25SB	WB25S	25	31,0	32,0	44,0	56,0	41	46
WB30SB		WB30S	30	36,0	35,5	49,0	62,0	46	50	
WB38SB		WB38S	38	44,0	38,0	54,0	69,0	55	60	