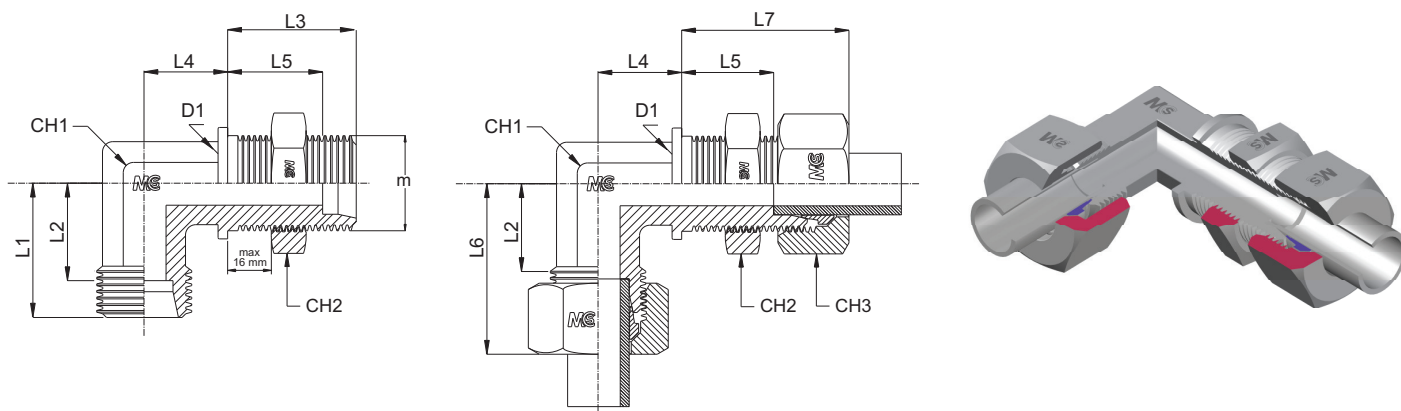


ADATTATORE INTERMEDIO PASSAPARETE A GOMITO CON CONTRODADO
BULKHEAD ELBOW COUPLING WITH LOCKNUT



Serie Series	Bar W.P.	Codice (Corpo) Part Number (Body)	Codice (Completo) Part Number (Complete)	Ø Est. Tubo Tube O.D.	D1	m	L1	L2	L3	L4	L5	L6	L7	CH1	CH2	CH3
L	315	WSV06LB	WSV06L	6	17	12x1,5	19,0	12,0	34,0	14,0	27,0	19,0	42	12	17	14
		WSV08LB	WSV08L	8	19	14x1,5	21,0	14,0	34,0	17,0	27,0	21,0	42	12	19	17
		WSV10LB	WSV10L	10	22	16x1,5	22,0	15,0	35,0	18,0	28,0	22,0	43	14	22	19
		WSV12LB	WSV12L	12	24	18x1,5	24,0	17,0	36,0	20,0	29,0	24,0	44	17	24	22
		WSV15LB	WSV15L	15	27	22x1,5	28,0	21,0	38,0	23,0	31,0	28,0	46	19	30	27
		WSV18LB	WSV18L	18	32	26x1,5	31,0	23,5	40,0	24,0	32,5	31,0	49	24	36	32
	160	WSV22LB	WSV22L	22	36	30x2,0	35,0	27,5	42,0	30,0	34,5	35,0	51	27	41	36
		WSV28LB	WSV28L	28	42	36x2,0	38,0	30,5	43,0	34,0	35,5	38,0	52	36	46	41
		WSV35LB	WSV35L	35	50	45x2,0	45,0	34,5	47,0	39,0	36,5	45,0	58	41	55	50
		WSV42LB	WSV42L	42	60	52x2,0	51,0	40,0	47,0	43,0	36,0	51,0	59	50	65	60
S	630	WSV06SB	WSV06S	6	19	14x1,5	23,0	16,0	36,0	17,0	29,0	23,0	44	12	19	17
		WSV08SB	WSV08S	8	22	16x1,5	24,0	17,0	36,0	18,0	29,0	24,0	44	14	22	19
		WSV10SB	WSV10S	10	24	18x1,5	25,0	17,5	37,0	20,0	29,5	25,0	46	17	24	22
		WSV12SB	WSV12S	12	27	20x1,5	29,0	21,5	38,0	21,0	30,5	29,0	47	17	27	24
		WSV14SB	WSV14S	14	27	22x1,5	30,0	22,0	40,0	23,0	32,0	30,0	50	19	30	27
	400	WSV16SB	WSV16S	16	30	24x1,5	33,0	24,5	40,0	24,0	31,5	33,0	50	24	32	30
		WSV20SB	WSV20S	20	36	30x2,0	37,0	26,5	44,0	30,0	33,5	37,0	55	27	41	36
		WSV25SB	WSV25S	25	42	36x2,0	42,0	30,0	47,0	34,0	35,0	42,0	59	36	46	46
		WSV30SB	WSV30S	30	50	42x2,0	49,0	35,5	51,0	39,0	37,5	49,0	64	41	50	50
		WSV38SB	WSV38S	38	60	52x2,0	57,0	41,0	53,0	43,0	37,0	57,0	68	50	65	60