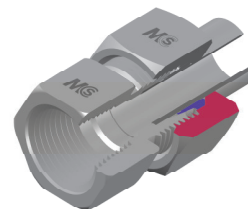
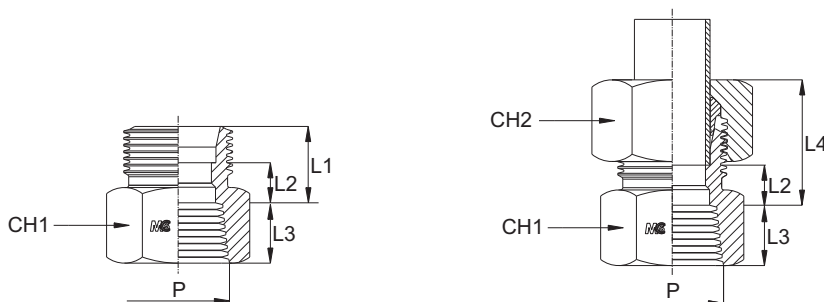


ADATTATORE FEMMINA DI ESTREMITÀ - Serie L

Filetto NPT

FEMALE STUD COUPLING - L Series

NPT Thread



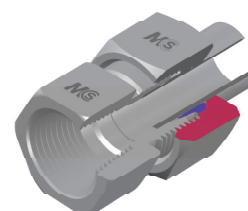
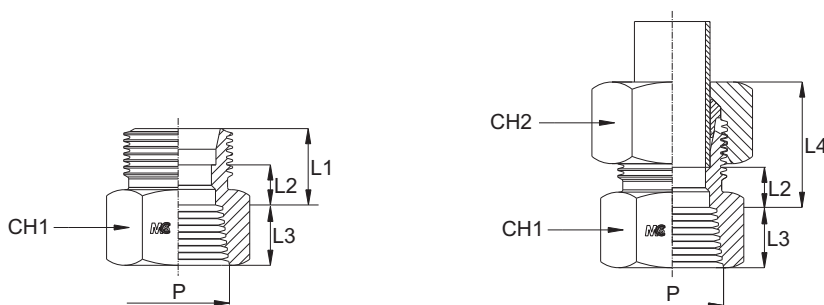
Serie Series	Bar W.P.	Codice (Corpo) Part Number (Body)	Codice (Completo) Part Number (Complete)	Ø Est. Tubo Tube O.D.	P	L1	L2	L3	L4	CH1	CH2
L	315	GAI06L1/8NPTB	GAI06L1/8NPT	6	1/8"	16,0	9,0	10,0	23,5	14	14
		GAI08L1/4NPTB	GAI08L1/4NPT	8	1/4"	17,0	10,0	14,2	25,0	19	17
		GAI10L1/4NPTB	GAI10L1/4NPT	10	1/4"	18,0	11,0	14,2	26,0	19	19
		GAI12L3/8NPTB	GAI12L3/8NPT	12	3/8"	19,0	12,0	14,2	26,5	24	22
		GAI15L1/2NPTB	GAI15L1/2NPT	15	1/2"	21,0	14,0	17,5	29,0	27	27
	GAI18L1/2NPTB	GAI18L1/2NPT	18	1/2"	21,0	13,5	17,5	30,0	27	32	
	GAI22L3/4NPTB	GAI22L3/4NPT	22	3/4"	24,0	16,5	22,0	33,0	36	36	
	GAI28L1NPTB	GAI28L1NPT	28	1"	23,5	16,0	23,0	32,5	41	41	
160	GAI35L11/4NPTB	GAI35L11/4NPT	35	1,1/4"	28,5	18,0	23,0	39,5	55	50	
	GAI42L11/2NPTB	GAI42L11/2NPT	42	1,1/2"	28,5	17,5	23,0	40,5	60	60	

ADATTATORE FEMMINA DI ESTREMITÀ - Serie S

Filetto NPT

FEMALE STUD COUPLING - S Series

NPT Thread



Serie Series	Bar W.P.	Codice (Corpo) Part Number (Body)	Codice (Completo) Part Number (Complete)	Ø Est. Tubo Tube O.D.	P	L1	L2	L3	L4	CH1	CH2
S	630	GAI06S1/4NPTB	GAI06S1/4NPT	6	1/4"	19,0	12,0	14,2	27,0	19	17
		GAI08S1/4NPTB	GAI08S1/4NPT	8	1/4"	19,0	12,0	14,2	27,0	19	19
		GAI10S3/8NPTB	GAI10S3/8NPT	10	3/8"	20,0	12,5	14,2	28,5	24	22
		GAI12S3/8NPTB	GAI12S3/8NPT	12	3/8"	20,0	12,5	14,2	28,5	24	24
		GAI14S1/2NPTB	GAI14S1/2NPT	14	1/2"	23,0	15,0	17,5	33,0	30	27
	400	GAI16S1/2NPTB	GAI16S1/2NPT	16	1/2"	23,0	14,5	17,5	33,0	30	30
		GAI20S3/4NPTB	GAI20S3/4NPT	20	3/4"	26,0	15,5	22,0	37,0	36	36
		GAI25S1NPTB	GAI25S1NPT	25	1"	27,5	15,5	23,0	39,5	41	46
		GAI30S11/4NPTB	GAI30S11/4NPT	30	1,1/4"	32,5	19,0	23,0	45,5	55	50
	315	GAI38S11/2NPTB	GAI38S11/2NPT	38	1,1/2"	34,5	18,5	23,0	49,5	60	60