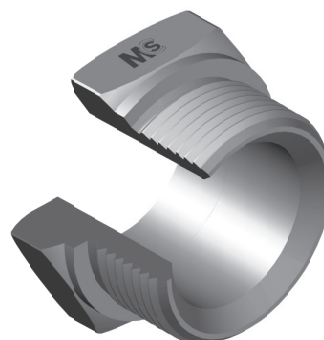
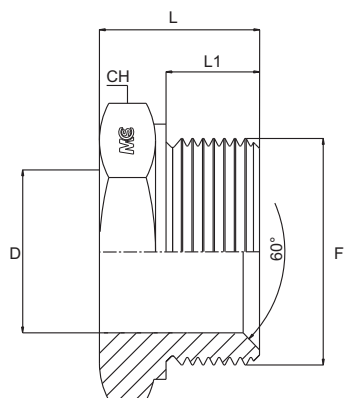


ADATTATORE DIRITTO MASCHIO A SALDARE

Filetto Gas Cilindrico

MALE STRAIGHT WELDING ADAPTOR

Thread BSP



Bar W.P.	Codice Part Number	F	D	L1	L	CH
300	BSPWM02	1/8"	4,0	8,0	16,0	14
	BSPWM04	1/4"	6,3	11,0	19,5	19
	BSPWM06	3/8"	8,0	12,0	21,5	22
200	BSPWM08	1/2"	12,0	14,0	24,0	27
	BSPWM12	3/4"	17,0	16,0	27,0	32
120	BSPWM16	1"	22,0	19,0	32,0	41
105	BSPWM20	1" 1/4	30,0	20,0	33,5	50
	BSPWM24	1" 1/2	35,0	20,0	34,5	55
70	BSPWM32	2"	44,0	24,5	39,0	70