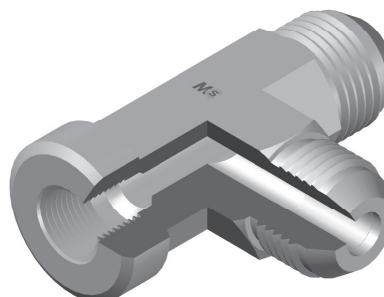
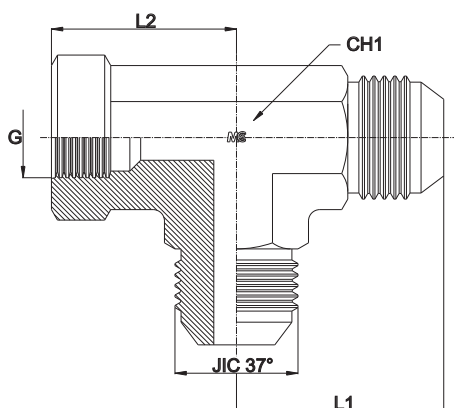


ADATTATORE A "T" LATERALE MASCHIO/FEMMINA FISSA

Filetto Gas Cilindrico

MALE/FEMALE STUD BARREL TEE

Thread BSP Parallel



Serie Series	Bar W.P.	Codice Code	Ø Est. Tubo M Tube O.D. M	Ø Est. Tubo W Tube O.D. W	JIC 37°	G	L1	L2	CH1
UNIVERSALE UNIVERSAL	350	TLJBSPMFFA0702	6	1/4"	7/16"-20	1/8"	27,5	17,0	14
		TLJBSPMFFA0704	6	1/4"	7/16"-20	1/4"	29,0	22,5	19
		TLJBSPMFFA0802	8	5/16"	1/2"-20	1/8"	27,5	17,0	14
		TLJBSPMFFA0804	8	5/16"	1/2"-20	1/4"	29,0	22,5	19
		TLJBSPMFFA0902	10	3/8"	9/16"-18	1/8"	27,5	17,0	14
		TLJBSPMFFA0904	10	3/8"	9/16"-18	1/4"	31,0	22,5	19
		TLJBSPMFFA0906	10	3/8"	9/16"-18	3/8"	31,5	26,0	22
		TLJBSPMFFA1204	12	1/2"	3/4"-16	1/4"	32,0	22,5	19
		TLJBSPMFFA1206	12	1/2"	3/4"-16	3/8"	36,0	26,0	22
		TLJBSPMFFA1208	12	1/2"	3/4"-16	1/2"	36,0	31,0	27
	TLJBSPMFFA1408	14-15-16	5/8"	7/8"-14	1/2"	42,0	31,0	27	
	TLJBSPMFFA1708	18-20	3/4"	1" 1/16-12	1/2"	42,0	31,0	27	
	TLJBSPMFFA1712	18-20	3/4"	1" 1/16-12	3/4"	48,0	34,5	33	
	290	TLJBSPMFFA2116	25	1"	1" 5/16-12	1"	55,0	41,0	41
240	TLJBSPMFFA2616	28-30-32	1" 1/4	1" 5/8-12	1"	59,0	41,0	41	
	TLJBSPMFFA2620	28-30-32	1" 1/4	1" 5/8-12	1" 1/4	55,0	43,0	50	
	TLJBSPMFFA3020	35-38	1" 1/2	1" 7/8-12	1" 1/4	59,0	43,0	50	
	TLJBSPMFFA3024	35-38	1" 1/2	1" 7/8-12	1" 1/2	73,0	53,0	65	